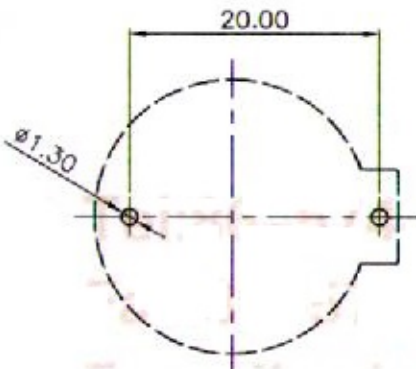
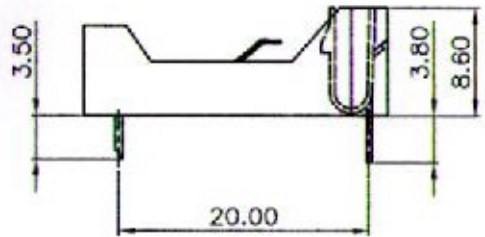
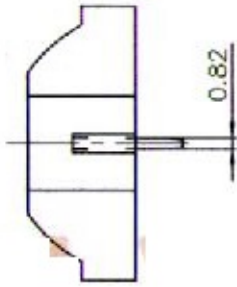
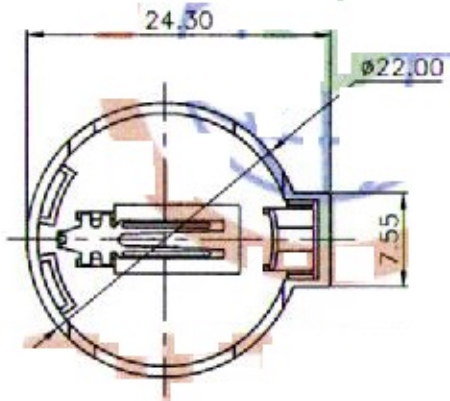


REV.	DESCRIPTION	DRAWN	CHECKED	APPROVED
A	NEW RELEASE	YCH 08/07/12'		



**NOTE:**

1. Materials:
  - 1.1 Base: Thermoplastic, UL94 V-0, Color of black.  
Temp. Range: -40°C to +105°C.
  - 1.2 Positive & Negative Contacts: Copper Alloy.
2. Specification:
  - 2.1 Dielectric Withstanding Voltage: AC 500V AC.
  - 2.2 Insulation Resistance: 1000MΩ min.
  - 2.3 Contact Resistance: 100mΩ Max.
3. Part Number Code:
 

DS1092-04 - X X X

- Housing material:  
P: PBT
- Contact plating:  
6: Tin
- Housing color:  
B: Black

Recommend PCB Layout  
Tolerance=±0.05

GENERAL TOLERANCE		ANGLE TOLERANCE		PROJECTION		TITLE	2032 Lithium Coin Cell Battery Holders Horizontal Insert type
X.	±0.60	X.	±5'	UNITS	mm	SHEET	
.X	±0.38	.X	±3'	SHEET SIZE	A4	SERIES	
.XX	±0.25	.XX	±2'	<b>BS8C</b>			
DRAWING TYPE		CUSTOMER					
SCALE	1:1	SHEET	1 OF 1				
DRAWING NO.							